



EWH9800

**Garage & Utility
Electric Heater**

Installation Instructions and Operator's Manual

WARNING: IF THE INFORMATION IN THIS MANUAL IS NOT FOLLOWED EXACTLY, A FIRE MAY RESULT CAUSING PROPERTY DAMAGE, PERSONAL INJURY OR LOSS OF LIFE.



DURA HEAT PHONE NUMBER:
(800) 776-9425
<http://www.worldmktng.com>

World Marketing of
America PO Box 192
Mill Creek, PA 16652

**FOR YOUR SAFETY
DO NOT STORE
OR USE GASOLINE OR
OTHER FLAMMABLE VAPORS
OR LIQUIDS
IN THE VICINITY OF THIS OR
ANY OTHER APPLIANCE**

This heater should be installed by qualified persons only and in accordance with the National Electric Code (Canadian Electrical Code in Canada) and all applicable local codes. Supply wiring must be copper and suitable for at least 75° C.

EWH9800 minimum 6 gauge SJO or SJTO copper type wiring required up to 105'



This product contains chemicals including di(2-ethylhexyl) phthalate (DEHP), which is known to the State of California to cause cancer and birth defects or other reproductive harm. For more information go to: www.P65Warnings.ca.gov

UL 2021. FIXED AND LOCATION –DEDICATED ELECTRIC ROOM HEATERS

DO NOT DISCARD THIS MANUAL

CUSTOMER: PLEASE RETAIN THIS MANUAL FOR FUTURE USE

IMPORTANT INSTRUCTIONS

When using electrical appliances, basic precautions should always be followed to reduce the risk of fire, electric shock, injury to persons, and hyperthermia, including the following:

- 1) Read all instructions before using this heater.
- 2) This heater is hot when in use. To avoid burns, **DO NOT** let bare skin touch hot surfaces. If provided, use handles when moving this heater. Keep combustible materials, such as furniture, pillows, bedding, papers, clothes, and curtains at least 3 feet (0.9m) from the front of the heater and keep them away from the sides and rear.
- 3) Extreme caution is necessary when any heater is used by or near children or invalids and whenever the heater is left operating and unattended.
- 4) **ALWAYS** unplug heater when not in use. (This item may be omitted if the heater is provided with a clock-operated switch).
- 5) **DO NOT** operate any heater with a damaged cord or plug or after the heater malfunctions, has been dropped or damaged in any manner. Discard heater or return to authorized service facility for examination and/or repair.
- 6) **DO NOT** use outdoors. (Omitted if the heater is intended for outdoor use.)
- 7) This heater is not intended for use in bathrooms, laundry areas and similar indoor locations. **NEVER** locate heater where it may fall into a bathtub or other water container.
- 8) **DO NOT** run cord under carpeting. **DO NOT** cover cord with throw rugs, runners, or similar coverings. **DO NOT** route cord under furniture or appliances. Arrange cord away from traffic area and where it will not be tripped over.
- 9) To disconnect heater, turn controls to off, then remove plug from outlet.
- 10) Connect to properly grounded outlets only. (This item may be omitted if the heater is not provided with a grounding type attachment plug.)
- 11) **DO NOT** insert or allow foreign objects to enter any ventilation or exhaust opening as this may cause an electric shock or fire or damage the heater.
- 12) To prevent a possible fire, **DO NOT** block air intakes or exhaust in any manner. **DO NOT** use on soft surfaces, like a bed, where openings may become blocked.
- 13) A heater has hot and arcing or sparking parts inside. **DO NOT** use it in areas where gasoline, paint, or flammable liquids are used or stored.
- 14) Use this heater only as described in this manual. Any other use not recommended by the manufacturer may cause fire, electric shock, or injury to persons.
- 15) Always plug heaters directly into a wall outlet/receptacle. **NEVER** use with an extension cord or relocatable power tap (outlet/power strip).
- 16) This heater may include an audible (a visual) alarm to warn that parts of the heater are getting excessively hot. If the alarm sounds (flashes), immediately turn the heater off and inspect for any objects on or adjacent to the heater that may cause high temperatures. **DO NOT OPERATE THE HEATER WITH THE ALARM SOUNDING (FLASHING).**
- 17) Any repairs to this appliance should be carried out by a qualified service person.
- 18) Under no circumstances should this appliance be modified. Parts having to be removed for servicing must be replaced prior to operating this appliance again.
- 19) **DO NOT** use this heater in elevated locations, such as on shelves, raised platforms, etc.
- 20) This appliance, when installed, must be electrically grounded in accordance with local codes, with the current CSA C22.0 Canadian Electrical codes or for USA installations, follow local codes or for USA installations, follow local codes and the National Electric code ANSI/NFPA No. 70.
- 21) Hyperthermia can result in death. Symptoms of hyperthermia include high body temperature, headache, nausea, vomiting, tiredness, dizziness, fainting, and rapid pulse. If you begin to experience symptoms related to hyperthermia, turn off the heater and seek medical attention.
- 22) To avoid excessive room temperatures which can cause hyperthermia: **DO NOT** leave product running unattended in a confined space around infants, or individuals with reduced physical, sensory, or mental capabilities.

"SAVE THESE INSTRUCTIONS"

GENERAL SAFETY INFORMATION:

WARNING-Read and understand installation and operation instructions and observe all safety instructions

SAVE THESE INSTRUCTIONS

1. For supply connections, use only copper wire, see **SPECIFICATIONS**
2. Heater air flow must be directed parallel to, or away from adjacent wall.
3. Observe wall, floor, and ceiling clearance requirements, see **Figure.1.**
4. All wiring must conform to national and local electrical codes in the United States and the heater must be grounded as a precaution against possible electrical shock. Heater circuits must be protected with proper fuses or circuit breakers.
5. The mounting structure and the anchoring hardware must be capable of reliably supporting the weight of the heater and, if used, the mounting bracket.
6. All electrical power must be disconnected, and the main service box must be locked before inspection, cleaning or servicing the heater. This is a precaution to prevent serious shock.
7. This heater is not suitable for use in hazardous locations as defined by the National Fire Protection Association (NFPA) in the United States. This heater has hot and arcing (sparking) parts inside. Do not use in
8. This heater is not suitable for use in corrosive atmosphere such as marine, greenhouses or chemical storage areas where gasoline, paint, or flammable liquids are used or stored.
9. Do not install closer than **8 inches** to a vertical surface. Do not install less than **6 feet** from the floor.
10. Extreme caution is necessary when any heater is used by or near children or invalids and whenever the heater is left operating and unattended.
11. Use this heater only as described in this manual. Any other use not recommended by the manufacturer may cause fire, electric shock, or injury to persons.

WARNING-Improper installation or failure to follow the procedures outlined in this instruction manual can result in serious electrical shock.

READ & SAVE THESE INSTRUCTIONS

WARNING: SHOCK HAZARD

Use your heater only in dry environments. This heater is not intended for use in a bathroom, laundry area, or similar locations, or near sinks, washing machines, swimming pools or other sources of water. Never locate heater where it may fall into a bathtub or other water container. Do not use heater outdoors. Do not use in damp environments such as flooded basements.

WARNING: HOT SURFACES

Do not touch body of heater when in use. This heater is hot when in use, to avoid burns, do not let bare skin touch hot surfaces. If provided, use handles when moving this heater.

WARNING: FIRE HAZARD

Heater has hot and arcing or sparking parts inside. Do not use near combustible materials or flammable gases or sources of heat. **DO NOT USE** in areas where gasoline, paint or flammable materials are used or stored. Keep combustible materials such as furniture, pillows, bedding, papers, clothes and curtains at least 3 feet (0.9 m) from the front of the heater and keep them away from the sides and rear. Keep rear grille away from walls or drapes so as to not block air intake. To prevent a possible fire, do not block air intakes or exhaust in any manner. Do not use on soft surfaces, like a bed, where openings may become blocked. Do not insert or allow foreign objects to enter any ventilation or exhaust opening as this may cause an electric shock, fire, or damage the heater

WARNING: ELECTRICAL SHOCK HAZARD

Do not use with damaged wiring. Use with adequate electrical system that is up to code.

PET OWNERS NOTE: The health of birds and some small pets are extremely sensitive to the fumes given off during the initial use of many appliances. Although these fumes are not harmful to humans, it is recommended that this heater not be used around birds and small pets during its initial use until the manufacturing corrosion coatings burn off.

Do not operate any heater with a damaged cord or plug or after heater malfunctions, has been dropped or damaged in any manner. Do not operate heater with a broken heating element or ceramic cone or any visual imperfections.

INTENDED USE:

Electric Utility heaters are designed to meet a variety of heating requirements. This product is intended for indoor use only. Use only with electrical wiring that is in good working order and that meets applicable codes and ordinances.

If you have any questions whether your wiring is adequate, consult a qualified electrician. Risk of fire, overheating, malfunction, property damage, injury or even death may result if not adhered to.

Use your heater-fan only with a working smoke detector located in the vicinity of your heater-fan.

While using your heater-fan, you should follow the IMPORTANT INSTRUCTIONS listed below. As part of those instructions, we have used the word "WARNING" to indicate the level of hazard: WARNING indicates a hazard which, if not avoided, could result in injury or death.

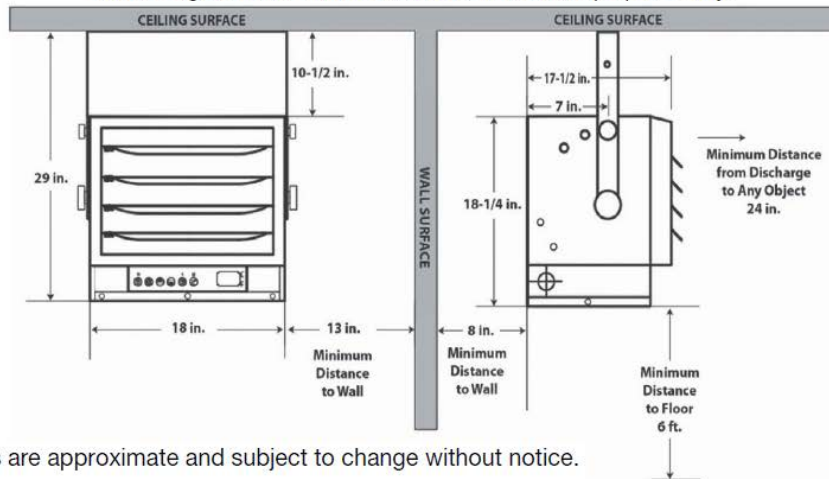
SPECIFICATIONS:

EWH9800 DIGITAL HEAVY DUTY 10,000W ELECTRIC UTILITY HEATER					
WATTS	SWITCH POSITION	VOLTS (VAC)	PHASE	AMPS	BTU/HOUR
10,000W	HIGH (Default)	208-240V, 60Hz	1	41.7	34,120
6500W	LOW	208-240V, 60Hz	1	27.1	22,180
32.5W	FAN ONLY	208-240V, 60Hz	1	0.14	N/A
AIR THROW	HORIZONTAL	18 FT (APPROXIMATE)			
RECOMMENDED	CIRCUIT BREAKER	60 AMP	or larger, in accordance with NEC and local codes.		
RECOMMENDED	WIRE SIZE	6 AWG, COPPER ONLY RATED AT 167°F/75°C	or larger, hardwired in accordance with NEC and local codes.		
RECOMMENDED LUG TORQUES		45 IN-LBS	or greater, in accordance with NEC and local codes		
PRODUCT WEIGHT (APPROXIMATE)		BETWEEN 45 TO 55 LBS			

FOR EWH9800

Note: Diagram is not drawn to scale, for information purposes only.


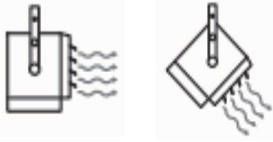
Figure 1



NOTE: Product dimensions are approximate and subject to change without notice.

WARNING

FOR INDOOR USE ONLY, IN A DRY LOCATION FREE OF GASOLINE, PAINT, FLAMMABLE LIQUIDS OR COMBUSTIBLE DUST OR MATERIALS. DO NOT USE EXTENSION CORDS

MAXIMUM MOUNTING HEIGHT USING BRACKET FOR:	
VERTICAL AIR FLOW: The maximum recommended ceiling height for effective vertical air flow is 11 ft.	
HORIZONTAL/ANGLED AIR FLOW: The maximum recommended ceiling height for effective vertical air flow is 8 ft.	

INSTALLING THE HEATER:

LOCATING THE HEATER:

Install the heater out of traffic areas, maintaining the clearances stated in Figure 1 above. The air flow from the heater must not be restricted or obstructed by any items in the room. When more than one heater is used in an area, the heaters should be arranged so that the air discharge of each heater supports the air flow of the others to provide best circulation of warm air, as indicated below in Figure 3.

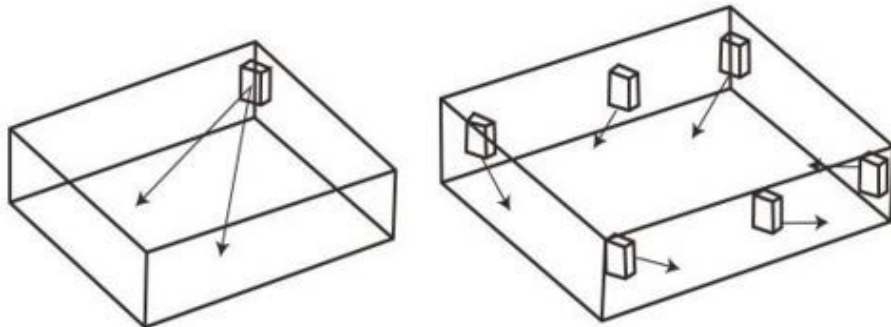


Figure 3

BRACKET INSTALLATION FOR EWH9800 Refer to Figure 4.

1. Locate a ceiling joist or other firm structural element or support to mount the heater and point at desired direction of air flow.
2. Drill a ¼" pilot hole in the ceiling joist for the screws.
3. Place the screws and washers as shown in the **Figure 4**.
4. Tighten the screws to secure the heater.

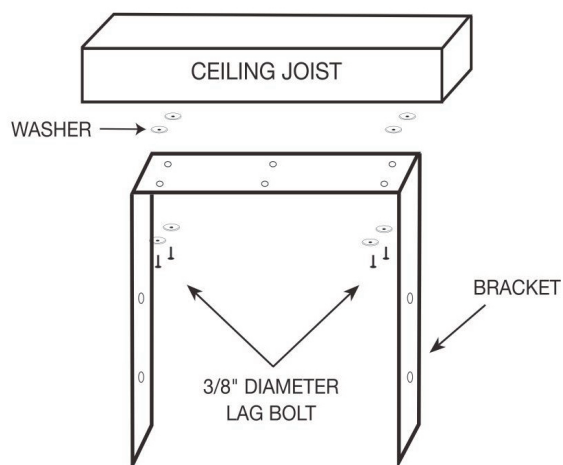


Figure 4: Multi-Screw Mounting, For Fixed Position

HANGING THE HEATER IN THE BRACKET

1. Lift the heater into the mounting bracket and align the lower bracket holes with the threaded holes.
2. Thread a large knob-screw through the hole on each side of the bracket.
3. Aim the heater horizontally or tilted by aligning the upper bracket holes with the top threaded holes on the heater and secure with the small knob-screws and tighten all. See **Figure 5**.

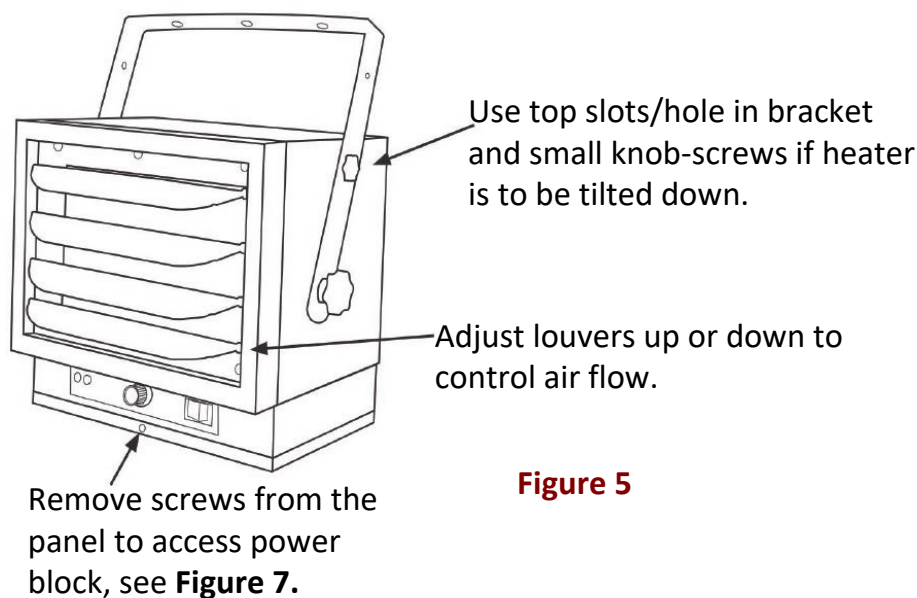


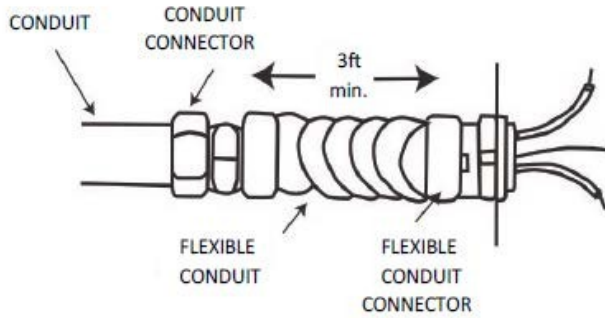
Figure 5

CONNECTING THE POWER:

1. With the power off at the breaker, remove all screws from the bottom lid for access to the electrical section of the heater.
2. Attach flexible cable through a knock-out in the side of the heater following NEC and local codes, **See Figure 6 and SPECIFICATIONS** for recommended wiring and circuit breakers.

NOTE: For certain applications, conduit may be required (**See Figure 6**). Check local electrical codes. If you run the wiring in conduit and wish to be able to turn the heater be sure to purchase enough flexible conduit to allow the heater to be turned.

If Heater is to be turned and wire is inside conduit.

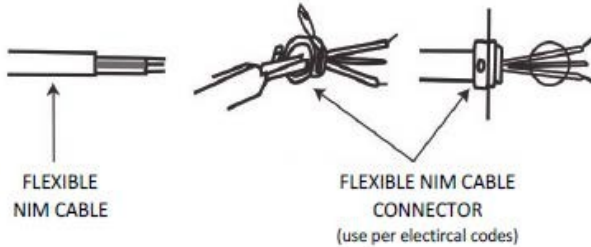


3. Pull enough wire into the heater and connect to wire to the Power Block located in the electrical area of the heater, **See Figure 7.**

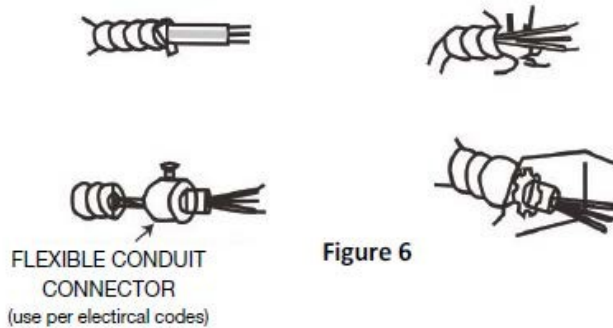
4. Be sure to torque all terminal screws and power block lugs tight, see **SPECIFICATIONS and NEC/** local codes, for required torque values, failure to do so can overheat the power blocks.

5. Turn on power at the main circuit breaker panel. Notice the **YELLOW** Power Indicator Light on the Control Panel will glow.

If Heater is to be connected with NM Cable.



If Heater is to be connected with Flexible Conduit.



WARNING: It is advised that at the start of each heater season, the power should be turned off at the circuit breaker and the L1 & L2 Plug screws checked for tightness and proper torque. The heater should be cleaned and checked for mechanical and electrical integrity. See SPECIFICATIONS and NEC/local codes.

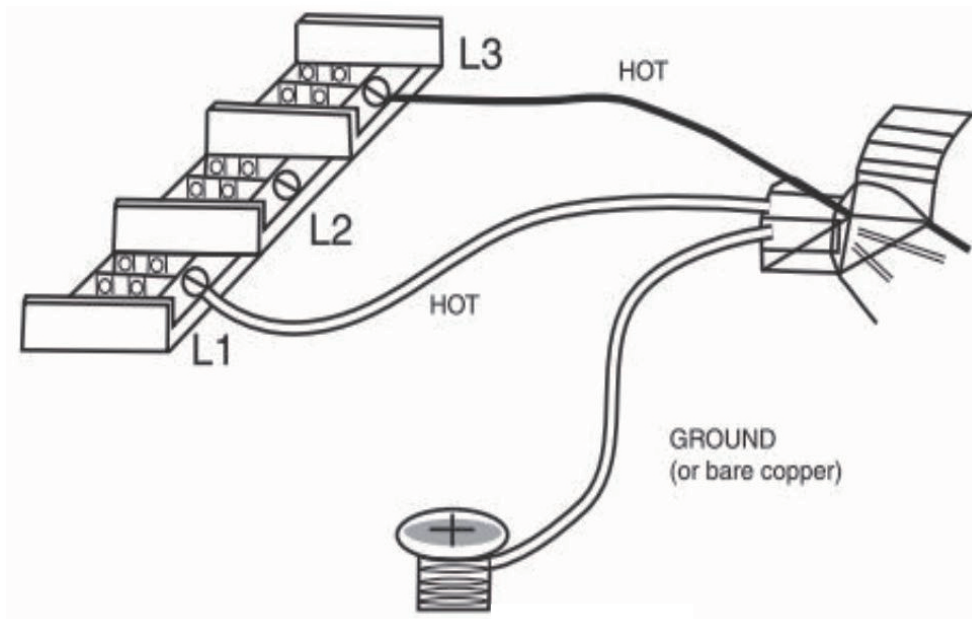
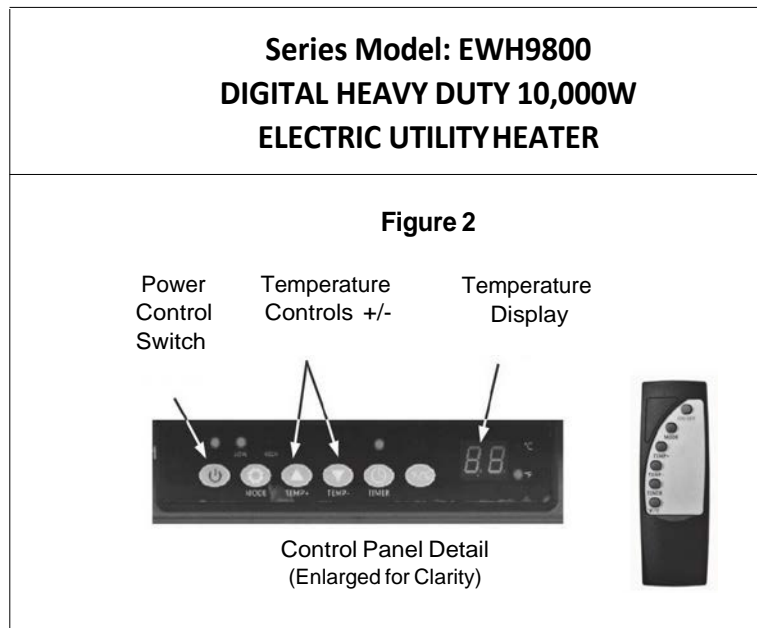


Figure 7



OPERATION AND TEMPERATURE SETTING:

1. This heater is designed to maintain a comfortable room temperature. Always operate the heater in the upright position following all instructions and recommendations listed in this manual.
When the heater is turned on by pressing the POWER button, it will operate on HIGH setting (10,000W) continuously. The LED display panel will show the ambient temperature.
Press the MODE button on either the unit or remote to change the heat setting to LOW (6,500W). The fan will start running about 10 seconds after initial start to push the heat out. The sequence is HIGH-LOW-FAN-ONLY. To operate the unit on FAN ONLY setting, press the MODE button again. In FAN ONLY mode, the LED display panel will show FA to indicate the heater is in FAN ONLY mode. From FAN ONLY mode, pressing the MODE button will make the heater operate in HIGH setting again, and the ambient temperature will appear on the LED display.
2. The temperature setting can be adjusted between 45°F (7°C) to 95°F (35°C). To change the temperature, press the TEMP+ or TEMP- buttons on either the unit or the remote. (See **Figure 2**)
3. The temperature display will blink while it is being adjusted.
When the desired temperature is reached, it will take about 5 seconds to accept the setting. Once the display stops flashing, the room temperature will reappear on the LED screen to indicate the desired temperature is set.
4. In any temperature mode, the unit will stay in that mode, cycling on and off to maintain the set temperature. The heater will reach the set temperature faster in HIGH setting.
5. The heater can be turned OFF by pressing the POWER button. Once the unit is turned off, the fan will continue to run to cool down the unit and there will be a 90 seconds countdown on the digital display.

TIMER FUNCTION:

The Timer function allows you to set the length of operation from 1 to 12 hours. Each time the TIMER button is pressed the length of operation will increase 1 hour. The duration the timer is set for will be displayed on the LED screen in hour increments.

TO TURN THE TIMER FUNCTION OFF: Press the TIMER Button continuously until the LED screen displays "0".

NOTE: The timer function is not an excuse to leave the heater unattended.

NOTE: Heater will cycle on and off to maintain room temperature. The first time you operate the unit, it may smoke slightly. This is due to residual cleaning agents used to clean the element when the heater is manufactured. This is normal and does not indicate a problem with the unit. This condition will stop after the heater has been in operation for a few minutes.

FAHRENHEIT OR CELSIUS DISPLAY:

To switch the display between Fahrenheit and Celsius, press the °F/°C on either the unit or the remote.

ADJUSTING AIR FLOW:

1. **Swivel the unit-**If mounted on a single center lag bolt Figure 4a, turn the entire heater and bracket assembly left or right.
2. **Tilt the unit-**Loosen the top Small Knob-Screws and thread into provided holes in heater until tight.
3. **Adjust the louvers** in front of the heater as desired. **See Figure 5.**

SAFETY INSTRUCTIONS:

To start the heater, turn on the circuit breaker. The Power Indicator light will light up to indicate there is power available. Press the POWER button to turn the heater on. The heater will be in HIGH setting by default. The heater indicator will illuminate, and the LED display will show the default setting temperature 80°F.

1. The heater is HOT when in use. Do not let bare skin touch any hot surfaces.
2. Keep combustible materials (furniture, pillows, bedding, papers, clothes, curtains, and similar items) at least 3feet (0.9m) from all sides and surfaces of the heater.
3. Do not use outdoors or in wet areas like bathrooms, laundry areas or where it could fall into a swimming pool or other container of water.
4. This heater is a 240V AC rated direct wired appliance. Never use extension cords or relocatable power taps.

CLEANING THE HEATER:

1. Do not disassemble the heater to clean it.
2. The heater should be powered OFF and disconnected from the power at the circuit breaker before attempting to clean any portion of the heater.
3. The exterior can be cleaned with a cloth, brush and/or vacuum.
4. The louvers, fan blade and heating element are delicate and should not encounter hard items. They can be cleaned by brush, vacuum and mild compressed air.

ERROR CODE TROUBLESHOOTING GUIDE:

Error Code	Possible Cause	Recommended Solution	Clearing Error Codes
E1 (Fan Blade Not Spinning) Overheat Safety Cut-Out (Resettable)	Insufficient Clearance Around Heater	Ensure Heater is Installed with Sufficient Clearance All-Around, See Figure 1 . *6 feet minimum mounting from floor *8 inches minimum from rear of heater *13 inches minimum from side of heater	To Clear E1 Code: <ol style="list-style-type: none"> 1. Power Off Heater 2. Switch Off Breaker (or Remove Fuse) 3. Allow Heater to Cool (~15 minutes) 4. Switch on Breaker and wait 1 minute 5. Power On Unit and follow Instruction Manual for Normal Operation If E1 code persists please contact manufacturer to arrange product return.
	Obstructed Vent	Remove any objects on heater or adjacent to heater vents. Do not block intake or exhaust by columns, machinery, etc. Ensure 24 inches minimum distance from heater exhaust (front) to any object	
	Fan Not Operational (Fan Blade Not Spinning)	Disconnect power! Inspect Fan Blade(Rear of Heater) for foreign or dislodged object(s) preventing rotation. Remove Rear Grille and clear interference, re-attach Rear Grille.	
		Disconnect power! Open Hinged Bottom Cover by removing screws. Inspect Circuit Card Assembly (adjacent to Supply Connection Terminal Block) for loose or detached "plug-in" electrical connector. Re-attach securely, close Bottom Cover and re-install screws.	
	Inadequate Copper Wire Gauge for Supply Connections (Fan Operates at Reduced Speed Due to Insufficient Power Input)	Consult a licensed electrician. Ensure Adequate Wire Gauge for Supply Connections	
	Excessive Distance from Power Source (Fan Operates at Reduced Speed Due to Current Loss)		
	Inadequate Current (Amp) Rating on Breaker	Consult a licensed electrician. Ensure adequately sized Current Breaker or Fuse per National & Local Electrical Codes.	
Improper Heater Shut Down	Do not power off heater using circuit breaker. Fan motor is designed to operate for a short period of time after heating element shuts off to prevent an overheat condition.		
E2 Room Temp Sensor Open Circuit	Detached or Loose Connection at Room Temperature Sensor	Disconnect power! *Detach Fan Grille by removing screws. Locate Temp Sensor Thermocouple on Housing (below Fan Motor Bracket). Ensure wire pair & thermocouple "tip" are free of damage. Re-attach Grille by re-installing screws. Open Bottom Cover by removing screws. Inspect Circuit Card Assembly (adjacent to Supply Connection Terminal Block) for loose or detached "plug-in" electrical connector. Re-attach connectors securely. Close Bottom Cover and re-install screws.	To Clear E2 & E3 Codes: <ol style="list-style-type: none"> 1. Power Off Heater 2. Switch Off Breaker (or Remove Fuse) 3. Switch on Breaker and wait 1 minute 4. Power On Unit and follow Instruction Manual for Normal Operation If E2 or E3 code persists please contact manufacturer to arrange product return.
E3 Room Temp Sensor Short Circuit	Moisture Entrapment in Heater	Not intended for outdoor use. Not intended for use in bathrooms, shower rooms, laundry facilities or other similar indoor locations. Disconnect power! Open Bottom Cover by removing screws. Allow unit to fully dry. Re-attach securely, close Bottom Cover and re-install screw(s).	
No Power or Low Power to Heater	Supply Connections Improperly Wired	Consult a licensed electrician. Ensure Supply Connections L1, L2, L3 & Ground are secure. Torque per NEC (L3 provided on certain models).	Re-Start Unit. Follow Instruction Manual for Normal Operation.
	Insufficient Service Loop on Supply Connections	Consult a licensed electrician. Ensure sufficient service loop in supply wires to maintain secure electrical connections to swivel heater on bracket (particularly when using rigid or semi-rigid conduit).	
	Electrical Short-to Ground	Consult a licensed electrician. Ensure Supply Connections (L1, L2 & L3) are not contacting Housing (Ground) (L3 only provided on certain models).	

PORTABLE ELECTRIC HEATER WARRANTY

LIMITED WARRANTY:

A limited warranty is extended to the original purchaser of this heater and warrants against malfunction due to manufacturing defects for a period of (1) one year from the date of retail purchase. Please read and follow all details noted below. **To register your product please visit www.worldmkting.com**

CLAIMS HANDLED AS FOLLOWS:

1. WITHIN 30 DAYS OF PURCHASE:

Return to the place of purchase.

2. AFTER 30 DAYS AND WITHIN THE 1 YEAR WARRANTY PERIOD:

CALL 1-800-776-9425 FOR SERVICE (9AM-5PM MON.-FRI.) or EMAIL US AT techsupport@worldmkting.com

You must have the model number, serial number and date of purchase. They will provide you with further instructions, which will include repair or replacement at our option.

DUTIES OF THE OWNER:

This heating appliance must be operated in accordance with the written instructions furnished with this heater. This warranty shall not excuse the owner from properly maintaining this heater in accordance with the written instructions furnished with this heater. A bill of sale, cancelled check or payment record must be kept to verify purchase date and establish warranty period. Original carton should be kept in case of warranty return of unit.

WHAT IS NOT COVERED:

1. Damage caused by misuse or use contrary to the owner's manual and safety guidelines.
2. Damage caused by a lack of normal maintenance.
3. Repair by an unauthorized person.
4. Damage caused by connection to an improper voltage.
5. Damaged caused by use outdoors.

LIMATATIONS:This warranty does not imply or assume any responsibility for consequential damages that may result from the use, misuse, or the lack of routine maintenance of this heating appliance. A cleaning fee and the cost of parts may be charged for appliance failures resulting from lack of maintenance. This warranty does not cover claims, which do not involve defective workmanship or materials. **FAILURE TO PERFORM GENERAL MAINTENANCE (INCLUDING CLEANING) WILL VOID THIS WARRANTY.**

THIS LIMITED WARRANTY IS GIVEN TO THE PURCHASER IN LIEU OF ALL OTHER WARRANTIES, EXPRESSED OR IMPLIED, INCLUDING BUT NOT LIMITED TO THE WARRANTIES OF MERCHANTABILITY OF FITNESS FOR A PARTICULAR PURPOSE. THE REMEDY PROVIDED IN THIS WARRANTY IS EXCLUSIVE AND IS GRANTED IN LIEU OF ALL OTHER REMEDIES. IN NO EVENT WILL WORLD MARKETING OF AMERICA BE LIABLE FOR INCIDENTAL OR CONSEQUENTIAL DAMAGES.

Some states do not allow limitations on how long an implied warranty lasts, so the above limitation may not apply to you. Some states do not allow the exclusion or limitation of incidental or consequential damages so the above limitation or exclusion may not apply to you.



EWH9800

Garage et utilitaire
Chauffage électrique

Instructions d'installation et manuel de l'opérateur

AVERTISSEMENT! SI LES INFORMATIONS CONTENUES DANS CE MANUEL NE SONT PAS SUIVIES EXACTEMENT, UN INCENDIE PEUT ENTRAÎNER DES DOMMAGES MATÉRIELS, DES BLESSURES CORPORELLES OU LA PERTE DE LA VIE.



NUMÉRO DE TÉLÉPHONE DE DURA HEAT :v

(800) 776-9425

<http://www.worldmkting.com>

Marketing mondial de Amérique
PO Box 192
Mill Creek, Pennsylvanie 16652

POUR VOTRE SÉCURITÉ

NE PAS CONSERVER
OU UTILISER DE L'ESSENCE OU
AUTRES VAPEURS
INFLAMMABLES
OU LIQUIDES À PROXIMITÉ
DE CE OU
TOUT AUTRE APPAREIL

Ce radiateur doit être installé par des personnes qualifiées uniquement et conformément au Code national de l'électricité (Code canadien de l'électricité au Canada) et à tous les codes locaux applicables.

Le câblage d'alimentation doit être en cuivre et adapté à une température d'au moins 75°C.

EWH9800 minimum 6 gauge SJO or SJTO copper type wiring required up to 105'



Ce produit contient des produits chimiques, notamment le phtalate de di(2-éthylhexyle) (DEHP), connu de l'État de Californie pour provoquer des cancers, des malformations congénitales ou d'autres problèmes de reproduction. Pour plus d'informations, allez à : www.P65Warnings.ca.gov

UL 2021. FIXES ET EMBLEMES – CHAUFFAGES ÉLECTRIQUES DÉDIÉS

NE JETEZ PAS CE MANUEL

CLIENT : VEUILLEZ CONSERVER CE MANUEL POUR UNE UTILISATION FUTURE

INSTRUCTIONS IMPORTANTES

Lors de l'utilisation d'appareils électriques, des précautions de base doivent toujours être suivies pour réduire le risque d'incendie, de choc électrique, de blessures corporelles et d'hyperthermie, notamment les suivantes :

- 1) Lisez toutes les instructions avant d'utiliser ce radiateur.
- 2) Ce radiateur est chaud lorsqu'il est utilisé. Pour éviter les brûlures, **NE laissez PAS** la peau nue toucher des surfaces chaudes. Le cas échéant, utilisez les poignées lorsque vous déplacez ce radiateur. Gardez les matériaux combustibles, tels que les meubles, les oreillers, la literie, les papiers, les vêtements et les rideaux à au moins 3 pieds (0,9 m) de l'avant du radiateur et éloignez-les des côtés et de l'arrière.
- 3) Une extrême prudence est nécessaire lorsqu'un appareil de chauffage est utilisé par ou à proximité d'enfants ou de personnes invalides et chaque fois que l'appareil de chauffage est laissé en fonctionnement et sans surveillance.
- 4) Débranchez **TOUJOURS** le radiateur lorsqu'il n'est pas utilisé. (Cet élément peut être omis si le radiateur est équipé d'un interrupteur à horloge).
- 5) **NE PAS** faire fonctionner un radiateur avec un cordon ou une fiche endommagé ou après un dysfonctionnement du radiateur, il est tombé ou a été endommagé de quelque manière que ce soit. Jetez le radiateur ou retournez-le à un centre de service agréé pour examen et/ou réparation.
- 6) **NE PAS** utiliser à l'extérieur. (Omis si le radiateur est destiné à une utilisation en extérieur.)
- 7) Ce radiateur n'est pas destiné à être utilisé dans les salles de bains, les buanderies et autres lieux intérieurs similaires. **NE JAMAIS** placer le radiateur à un endroit où il pourrait tomber dans une baignoire ou un autre récipient d'eau.
- 8) **NE PAS** faire passer le cordon sous la moquette. **NE couvrez PAS** le cordon avec des tapis, des tapis ou des revêtements similaires. **NE PAS** acheminer le cordon sous les meubles ou les appareils électroménagers. Disposez le cordon loin de la zone de circulation et là où il ne risque pas de trébucher.
- 9) Pour débrancher le radiateur, éteignez les commandes, puis retirez la fiche de la prise.
- 10) Connectez-vous uniquement à des prises correctement mises à la terre. (Cet élément peut être omis si le radiateur n'est pas fourni avec une fiche de fixation de type mise à la terre.)
- 11) **NE PAS** insérer ou laisser des objets étrangers pénétrer dans les ouvertures de ventilation ou d'échappement car cela pourrait provoquer un choc électrique, un incendie ou endommager le radiateur.
- 12) Pour éviter un éventuel incendie, **NE bloquez PAS** les entrées ou les sorties d'air de quelque manière que ce soit. **NE PAS** utiliser sur des surfaces molles, comme un lit, où les ouvertures pourraient être bloquées.
- 13) Un appareil de chauffage contient des pièces chaudes qui produisent des arcs électriques ou des étincelles. **NE l'utilisez PAS** dans des zones où de l'essence, de la peinture ou des liquides inflammables sont utilisés ou stockés.
- 14) Utilisez ce radiateur uniquement comme décrit dans ce manuel. Toute autre utilisation non recommandée par le fabricant peut provoquer un incendie, un choc électrique ou des blessures corporelles.
- 15) Branchez toujours les radiateurs directement dans une prise/prise murale. **NE JAMAIS** utiliser avec une rallonge ou une prise d'alimentation déplaçable (prise/multiprise).
- 16) Ce radiateur peut inclure une alarme sonore (visuelle) pour avertir que des parties du radiateur deviennent excessivement chaudes. Si l'alarme retentit (clignote), éteignez immédiatement le radiateur et inspectez tout objet sur ou à proximité du radiateur susceptible de provoquer des températures élevées. **NE PAS FAIRE FONCTIONNER LE CHAUFFAGE AVEC L'ALARME SONNE (CLIGNOTANT).**
- 17) Toute réparation sur cet appareil doit être effectuée par un personnel de service qualifié.
- 18) Cet appareil ne doit en aucun cas être modifié. Les pièces devant être retirées pour l'entretien doivent être remplacées avant de faire fonctionner à nouveau cet appareil.
- 19) **NE PAS** utiliser ce radiateur dans des endroits élevés, comme sur des étagères, des plates-formes surélevées, etc.
- 20) Cet appareil, une fois installé, doit être mis à la terre conformément aux codes locaux, aux codes électriques canadiens CSA C22.0 en vigueur ou pour les installations aux États-Unis, suivre les codes locaux ou pour les installations aux États-Unis, suivre les codes locaux et le code national de l'électricité ANSI. /NFPA n° 70.
- 21) L'hyperthermie peut entraîner la mort. Les symptômes de l'hyperthermie comprennent une température corporelle élevée, des maux de tête, des nausées, des vomissements, de la fatigue, des étourdissements, des évanouissements et un pouls rapide. Si vous commencez à ressentir des symptômes liés à l'hyperthermie, éteignez le radiateur et consultez un médecin.
- 22) Pour éviter des températures ambiantes excessives pouvant provoquer une hyperthermie : **NE PAS** laisser le produit fonctionner sans surveillance dans un espace confiné à proximité de nourrissons ou de personnes ayant des capacités physiques, sensorielles ou mentales réduites.

"CONSERVEZ CES INSTRUCTIONS"

INFORMATIONS GÉNÉRALES DE SÉCURITÉ :

AVERTISSEMENT - Lisez et comprenez les instructions d'installation et de fonctionnement et respectez toutes les instructions de sécurité.

CONSERVEZ CES INSTRUCTIONS

- 1) Pour les connexions d'alimentation, utilisez uniquement du fil de cuivre, voir **SPÉCIFICATIONS**
- 2) Le flux d'air du radiateur doit être dirigé parallèlement ou loin du mur adjacent.
- 3) Respectez les exigences de dégagement au mur, au sol et au plafond, voir **Figure.1**.
- 4) Tout le câblage doit être conforme aux codes électriques nationaux et locaux aux États-Unis et le radiateur doit être mis à la terre par mesure de précaution contre un éventuel choc électrique. Les circuits de chauffage doivent être protégés par fusibles ou disjoncteurs appropriés.
- 5) La structure de montage et le matériel d'ancrage doivent être capables de supporter de manière fiable le poids de le radiateur et, le cas échéant, le support de montage.
- 6) Toute alimentation électrique doit être coupée et le boîtier de service principal doit être verrouillé avant l'inspection, nettoyer ou entretenir le radiateur. Il s'agit d'une précaution visant à éviter un choc grave.
- 7) Ce radiateur ne convient pas à une utilisation dans des endroits dangereux tels que définis par la National Fire Protection Association (NFPA) aux États-Unis.
- 8) Ce radiateur contient des pièces chaudes et produisant des arcs électriques (étincelles). Ne pas utiliser dans Ce radiateur ne convient pas à une utilisation dans une atmosphère corrosive telle que la marine, les serres ou le stockage de produits chimiques zones où de l'essence, de la peinture ou des liquides inflammables sont utilisés ou stockés.
- 9) Ne pas installer à moins de **8 pouces** d'une surface verticale. Ne pas installer à moins de **6 pieds** du sol.
- 10) Une extrême prudence est nécessaire lorsqu'un appareil de chauffage est utilisé par ou à proximité d'enfants ou de personnes invalides et chaque fois que le radiateur est laissé en fonctionnement et sans surveillance.
- 11) Utilisez ce radiateur uniquement comme décrit dans ce manuel. Toute autre utilisation non recommandée par le fabricant peut provoquer un incendie, un choc électrique ou des blessures corporelles.

**AVERTISSEMENT - Installation incorrecte ou non-respect des
Les procédures décrites dans ce manuel d'instructions peuvent entraîner de graves chocs
électriques.**

LISEZ ET CONSERVEZ CES INSTRUCTIONS

AVERTISSEMENT : RISQUE DE CHOC

Utilisez votre radiateur uniquement dans des environnements secs. Ce radiateur n'est pas destiné à être utilisé dans une salle de bains, une buanderie ou des endroits similaires, ni à proximité d'éviers, de machines à laver, de piscines ou d'autres sources d'eau. Ne placez jamais le radiateur à un endroit où il pourrait tomber dans une baignoire ou un autre récipient d'eau. N'utilisez pas le radiateur à l'extérieur. Ne pas utiliser dans des environnements humides tels que des sous-sols inondés.

AVERTISSEMENT : SURFACES CHAUDES

Ne touchez pas le corps du radiateur lors de son utilisation. Ce radiateur est chaud lorsqu'il est utilisé, pour éviter les brûlures, ne laissez pas la peau nue toucher les surfaces chaudes. Le cas échéant, utilisez les poignées lorsque vous déplacez ce radiateur.

AVERTISSEMENT : RISQUE D'INCENDIE

Le radiateur contient des pièces chaudes qui produisent des arcs électriques ou des étincelles. Ne pas utiliser à proximité de matériaux combustibles, de gaz inflammables ou de sources de chaleur. **NE PAS UTILISER** dans des zones où de l'essence, de la peinture ou des matériaux inflammables sont utilisés ou stockés. Gardez les matériaux combustibles tels que les meubles, les oreillers, la literie, les papiers, les vêtements et les rideaux à au moins 3 pieds (0,9 m) de l'avant du radiateur et éloignez-les des côtés et de l'arrière.

Éloignez la grille arrière des murs

ou des rideaux afin de ne pas bloquer l'entrée d'air. Pour éviter un éventuel incendie, ne bloquez en aucun cas les entrées ou les sorties d'air. Ne pas utiliser sur des surfaces molles, comme un lit, où les ouvertures pourraient être bloquées. N'insérez pas et ne laissez pas d'objets étrangers pénétrer dans les ouvertures de ventilation ou d'échappement car cela pourrait provoquer un choc électrique, un incendie ou endommager le radiateur.

AVERTISSEMENT : RISQUE DE CHOC ÉLECTRIQUE Ne pas utiliser avec un câblage endommagé. Utiliser avec un système électrique adéquat et conforme au code.

REMARQUE POUR LES PROPRIÉTAIRES D'ANIMAUX : La santé des oiseaux et de certains petits animaux de compagnie est extrêmement sensible aux fumées dégagées lors de la première utilisation de nombreux appareils. Bien que ces vapeurs ne soient pas nocives pour les humains, il est recommandé de ne pas utiliser ce radiateur à proximité d'oiseaux et de petits animaux domestiques lors de sa première utilisation jusqu'à ce que les revêtements anticorrosion de fabrication brûlent.

N'utilisez pas de radiateur avec un cordon ou une fiche endommagés ou après un dysfonctionnement du radiateur, il est tombé ou a été endommagé de quelque manière que ce soit. Ne faites pas fonctionner le radiateur avec un élément chauffant ou un cône en céramique cassé ou avec des imperfections visuelles.

UTILISATION PRÉVUE :

Les radiateurs électriques sont conçus pour répondre à une variété de besoins de chauffage. Ce produit est destiné à un usage intérieur uniquement. Utiliser uniquement avec un câblage électrique en bon état de fonctionnement et conforme aux codes et ordonnances applicables.

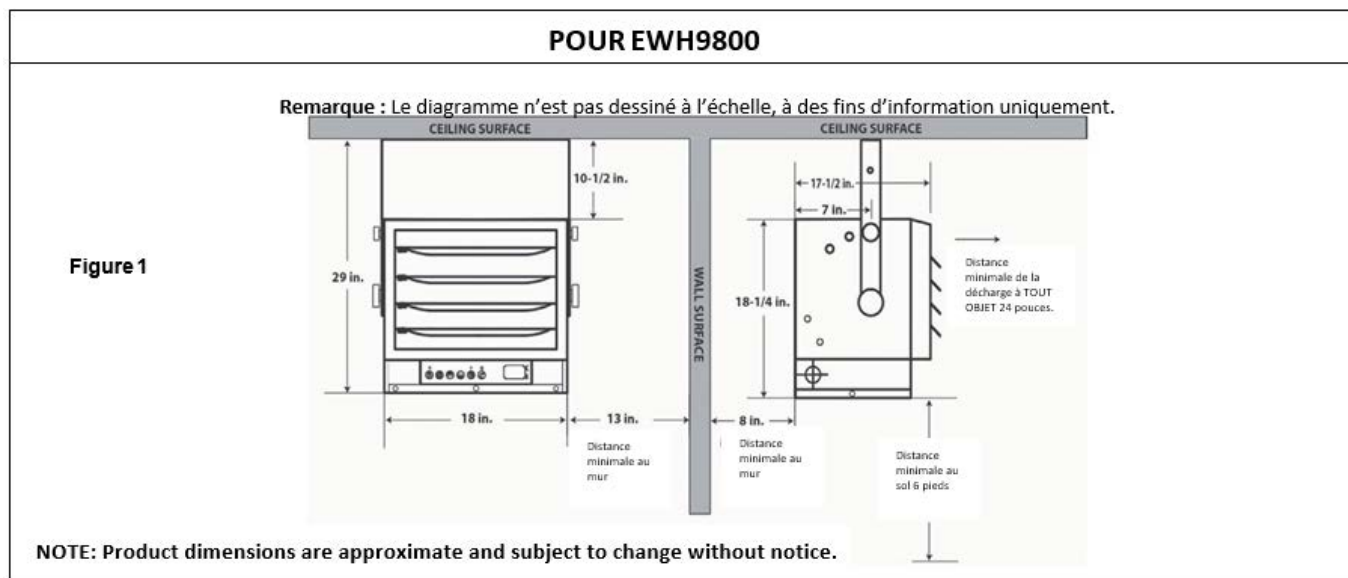
Si vous avez des questions quant à savoir si votre câblage est adéquat, consultez un électricien qualifié. Des risques d'incendie, de surchauffe, de dysfonctionnement, de dommages matériels, de blessures, voire de mort, peuvent survenir s'ils ne sont pas respectés.

Utilisez votre radiateur-ventilateur uniquement avec un détecteur de fumée fonctionnel situé à proximité de votre radiateur-ventilateur. Lorsque vous utilisez votre radiateur-ventilateur, vous devez suivre les INSTRUCTIONS IMPORTANTES répertoriées ci-dessous. Dans le cadre de ces instructions, nous avons utilisé le mot

« **AVERTISSEMENT** » pour indiquer le niveau de danger : **AVERTISSEMENT** indique un danger qui, s'il n'est pas évité, pourrait entraîner des blessures, voire la mort.


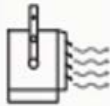

CARACTÉRISTIQUES:

EWH9800 NUMÉRIQUE LOURD DEVOIR 10 000 W ÉLECTRIQUE UTILITAIRE CHAUFFAGE					
PUISSANCES	CHANGER POSITION	VOLTS (VAC)	PHASE	AMPÈRES	BTU/HEURE
10 000W	HAUT (Défaut)	208-240 V, 60Hz	1	41,7	34 120
6500W	FAIBLE	208-240 V, 60Hz	1	27.1	22 , 180
32,5 W	VENTILATEUR SEULEMENT	208-240 V, 60Hz	1	0,14	N / A
AIR LANCER	HORIZONTAL	18 FT (APPROXIMATIF)			
RECOMMANDÉ	CIRCUIT BRISEUR	60 AMP	ou plus grand , dans accorder un ce avec NEC et locale codes .		
RECOMMANDÉ	FIL TAILLE	6 AWG, CUIVRE SEULEMENT ÉVALUÉ À 167°F/75°C	ou plus grand , câblé dans conformité avec N CE et locale codes .		
RECOMMANDÉ PATTE Couple		45 EN-LBS	ou plus grand , dans conformité avec NEC et locale codes		
PRODUIT POIDS (APPROXIMATIF)		ENTRE 45 À 55 KG			



AVERTISSEMENT

POUR INTÉRIEUR UTILISER SEULEMENT, DANS UN SEC EMPLACEMENT GRATUIT DE DE L'ESSENCE, PEINTURE, INFLAMMABLE LIQUIDES OU COMBUSTIBLE POUSSIÈRE OU MATÉRIAUX. FAIRE PAS UTILISER EXTENSION CORDONS

MAXIMUM MONTAGE HAUTEUR EN UTILISANT SUPPORT POUR:		
FLUX D'AIR VERTICAL : Le maximum recommandé plafond hauteur pour efficace verticale air couler est 11 pi.		HORIZONTAL/ANGULAIRE AIR COULER: Le maximum recommandé plafond hauteur pour efficace verticale air couler est 8 pi.
		 

INSTALLATION DU CHAUFFAGE :

EMPLACEMENT DU CHAUFFAGE :

Installez le radiateur hors des zones de circulation, en respectant les dégagements indiqués dans la figure 1 ci-dessus. Le flux d'air du radiateur ne doit pas être restreint ou obstrué par des objets présents dans la pièce. Lorsque plus d'un appareil de chauffage est utilisé dans une zone, les appareils de chauffage doivent être disposés de manière à ce que le débit d'air de chaque appareil de chauffage soutienne le flux d'air des autres afin d'assurer la meilleure circulation de l'air chaud, comme indiqué ci-dessous dans la figure 3.

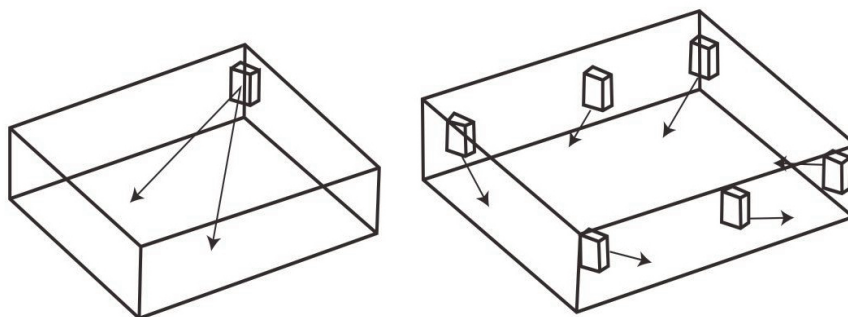


Figure 3

INSTALLATION DU SUPPORT POUR EWH9800 Reportez-vous à la figure 4.

1. Localisez une solive de plafond ou un autre élément structurel ou support ferme pour monter le radiateur et pointez dans la direction souhaitée du flux d'air.
2. Percez un trou pilote de ¼" dans la solive du plafond pour les vis.
3. Placez les vis et les rondelles comme indiqué sur la figure 4.
4. Serrez les vis pour fixer le radiateur.

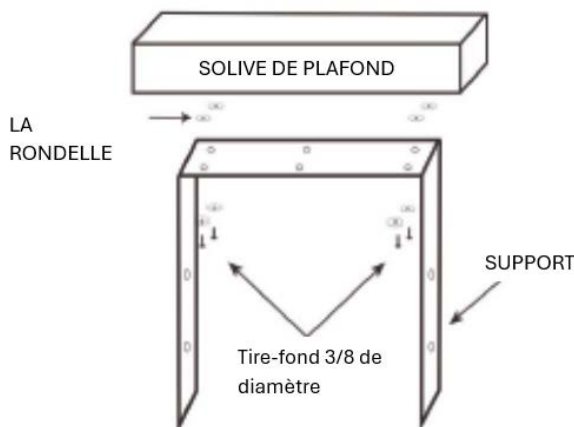
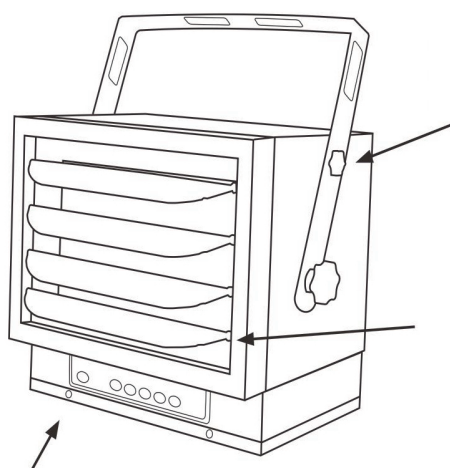


FIGURE 4 FIXATION MULTI-VIS, POUR POSITION FIXE

ACCROCHER LE CHAUFFAGE DANS LE SUPPORT

1. Soulevez le radiateur dans le support de montage et alignez les trous du support inférieur avec les filetages des trous.
2. Enfilez une grosse vis à bouton dans le trou de chaque côté du support.
3. Orientez le radiateur horizontalement ou incliné en alignant la partie supérieure des trous du support avec les trous filetés supérieurs du radiateur et fixez-les avec les petites vis à bouton et serrez le tout. Voir la figure 5.



Retirez les vis du panneau pour accéder à l'alimentation

Utilisez les fentes/trous supérieurs du support et les petites vis à bouton si le radiateur doit être incliné vers le bas.

Ajustez les persiennes vers le haut ou vers le bas pour contrôler le débit d'air.

FIGURE 5

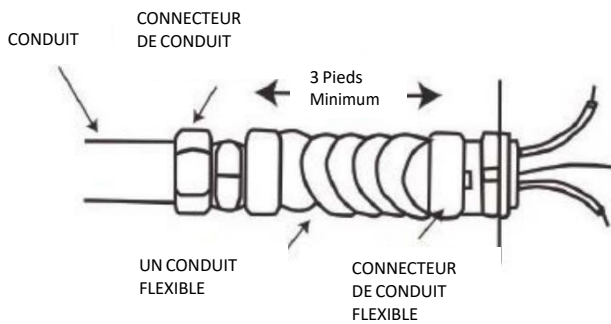
CONNEXION DE L'ALIMENTATION :

1. Le disjoncteur étant hors tension, retirez toutes les vis du couvercle inférieur pour accéder à la partie électrique du radiateur.
2. Fixez le câble flexible à travers une découpe sur le côté du radiateur conformément aux normes NEC et locales. codes, voir la figure 6 et les **SPÉCIFICATIONS** pour le câblage et les disjoncteurs recommandés.

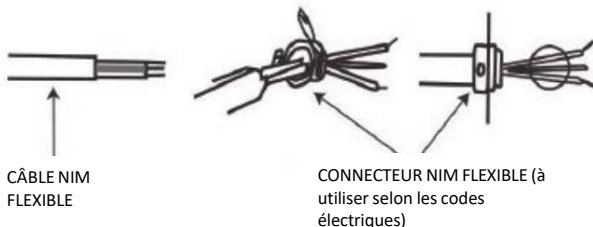
REMARQUE : Pour certaines applications, un conduit peut être nécessaire (voir Figure 6). Vérifiez les codes électriques locaux.

Si vous faites passer le câblage dans un conduit et souhaitez pouvoir allumer le radiateur, assurez-vous de acheter suffisamment de conduit flexible pour permettre au radiateur d'être allumé.

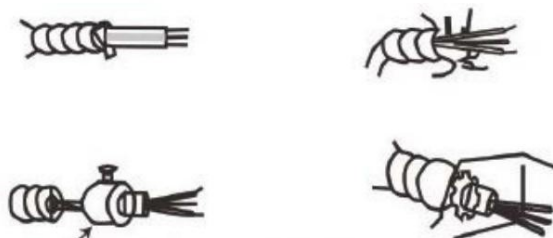
Si le radiateur doit être allumé et que le fil est à l'intérieur de l'unité



Si le radiateur doit être connecté avec un câble NM



Si le radiateur doit être connecté à un conduit flexible.



CONNECTEUR DE CONDUIT FLEXIBLE (utiliser les codes électriques du secteur)

Figure 6

3. Tirez suffisamment de fil dans le radiateur et connecter au fil du bloc d'alimentation situé dans la zone électrique de radiateur, voir la **figure 7**.
4. Assurez-vous de serrer toutes les vis des bornes et les cosses du bloc d'alimentation sont bien serrées, voir **SPÉCIFICATIONS et NEC/codes locaux**, pour les valeurs de couple requises, ne pas le faire peut surchauffer le blocs de puissance.
5. Mettez sous tension le circuit principal panneau de disjoncteurs. Remarquez le **JAUNE** Voyant d'alimentation sur la commande Le panneau brillera.

AVERTISSEMENT : Il est conseillé qu'au début de chaque saison de chauffage, l'alimentation soit coupée au niveau du disjoncteur et du L1.

& L2 Les vis du bouchon ont été vérifiées pour leur serrage et leur couple approprié. Le radiateur doit être nettoyé et vérifié pour son intégrité mécanique et électrique. Voir

SPÉCIFICATIONS et codes locaux NEC.

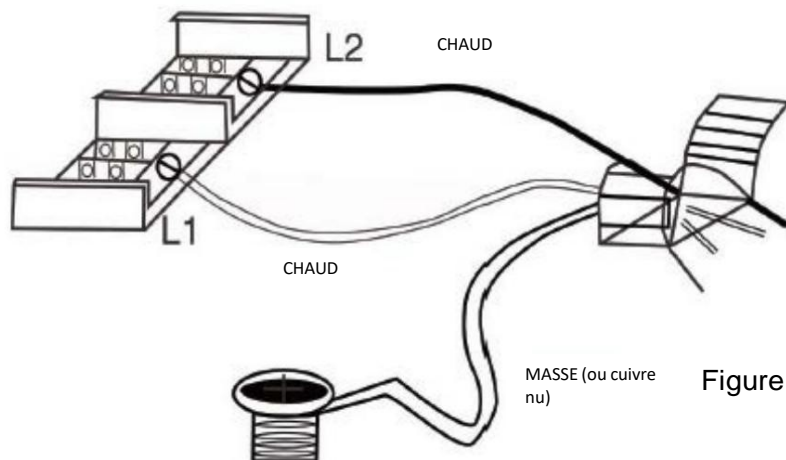
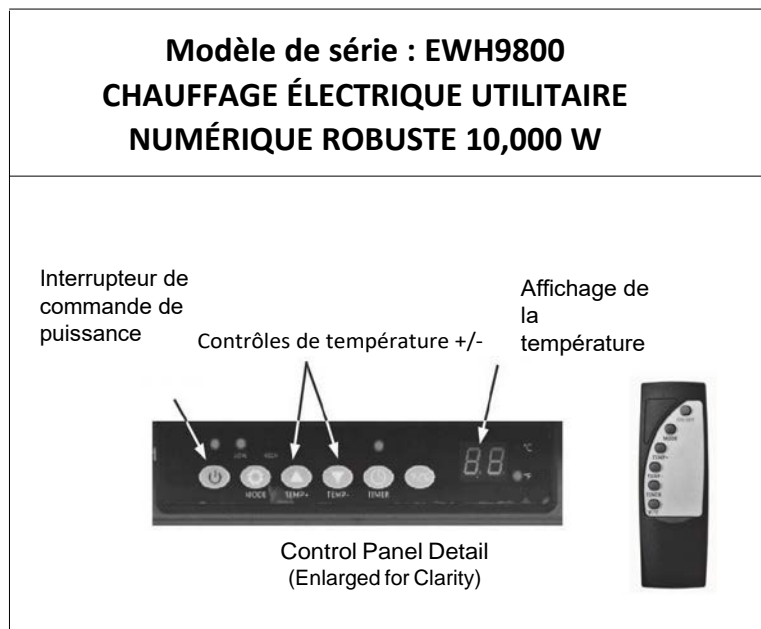


Figure 7



OPÉRATION ET TEMPÉRATURE PARAMÈTRE :

1. Ce chauffage est conçu à maintenir un confortable chambre température. Toujours fonctionner le chauffage dans le droit poste en suivant toutes les instructions et recommandations énumérées dans ce manuel. Quand le chauffage est tourné sur par pressage le POUVOIR bouton, il volonté fonctionner sur HAUT paramètre (7 500 W) en continu. Le DIRIGÉ afficher panneau volonté montrer le ambiant température. Presse le MODE bouton sur soit le unité ou télécommande à changement le chaleur paramètre à FAIBLE (6 250 W). Le ventilateur volonté commencer en cours d'exécution à propos dix secondes après initial commencer à pousser le chaleur dehors. Le séquence est VENTILATEUR HAUT-BAS UNIQUEMENT. À fonctionner le unité sur VENTILATEUR SEULEMENT réglage, presse le MODE bouton encore. Dans VENTILATEUR SEULEMENT mode, le DIRIGÉ afficher panneau volonté montrer FA à indiquer le chauffage est dans VENTILATEUR SEULEMENT mode. Depuis VENTILATEUR SEULEMENT mode, pressage le MODE bouton volonté faire le chauffage fonctionner dans HAUT paramètre encore, et le ambiant température volonté apparaître sur le DIRIGÉ afficher.
2. Le température paramètre peut être ajusté entre 45°F (7° C) à 95°F (35°C) . À changement le température, presse le TEMP ou Boutons TEMP sur soit le unité ou le à distance. (Voir **Chiffre 2**)
3. Le température afficher volonté clignoter alors que il est être ajusté. Quand le voulu température est atteint, il volonté prendre à propos 5 secondes à accepter le paramètre. Une fois le afficher s'arrête clignotant, le chambre température volonté réapparaître sur le DIRIGÉ écran à indiquer le voulu température est ensemble.
4. Dans n'importe lequel température mode, le unité volonté rester dans que mode, cyclisme sur et désactivé à maintenir le ensemble température. Le chauffage volonté atteindre le ensemble température plus rapide dans HAUT paramètre.
5. Le chauffage peut être tourné DÉSACTIVÉ par pressage le POUVOIR bouton. Une fois le unité est tourné désactivé, le ventilateur volonté continuer à courir à cool vers le bas le unité et là volonté être un 90 secondes compte à rebours sur le numérique afficher.

MINUTEUR FONCTION:

Le Minuteur fonction permet toi à ensemble le longueur de opération À partir de 1 à 12 heures. Chaque temps le MINUTEUR bouton est pressé le longueur de opération volonté augmenter 1 heure. Le durée le minuteur est réglé pour volonté être affiché sur le DIRIGÉ écran dans heure incréments.

À TOURNER LE MINUTEUR FONCTION DÉSACTIVÉ: Presse le MINUTEUR Bouton en continu jusqu'à le DIRIGÉ écran affiche "Ô".

Noter la minuteur fonction est pas un excuse à partir le chauffage sans surveillance.

NOTE: Chauffage volonté faire du vélo sur et désactivé à maintenir chambre température. Le d'abord temps toi fonctionner le unité, il peut fumée légèrement. Ce est exigible à résiduel nettoyage agents utilisé à faire le ménage le élément quand le radiateur est fabriqué. C'est normale et fait pas indiquer un problème avec le unité. Ce condition volonté arrêt après le chauffage a a été dans opération pour un peu minutes.

FAHRENHEIT OU CELSIUS AFFICHER:

Commuter le afficher entre Fahrenheit et Celsius, presse le °F/°C sur soit le unité ou le télécommande.

RÉGLAGE DU DÉBIT D'AIR :

1. **Faites pivoter l' appareil** - S'il est monté sur un seul tire-fond central Figure 4a, tournez l'ensemble du radiateur et du support. montage à gauche ou à droite.
2. **Inclinez l' appareil** - Desserrez les petites vis à bouton supérieures et vissez-les dans les trous prévus dans le radiateur jusqu'à ce qu'elles soient serrées.
3. **Ajustez les persiennes** devant le radiateur comme vous le souhaitez. Voir la **figure 5**.

CONSIGNES DE SÉCURITÉ:

À commencer le chauffage, tourner sur le circuit briseur. Le Indicateur d'alimentation lumière volonté lumière en haut à indiquer là est pouvoir disponible. Presse le POUVOIR bouton à tourner le chauffage sur. Le chauffage volonté être dans HAUT paramètre par défaut. Le chauffage indicateur volonté éclairer, et le DIRIGÉ afficher volonté montrer le défaut paramètre température 80°F.

1. Le radiateur est CHAUD lorsqu'il est utilisé. Ne laissez pas la peau nue toucher des surfaces chaudes.
2. Gardez les matériaux combustibles (meubles, oreillers, literie, papiers, vêtements, rideaux et articles similaires) à au moins 3 pieds (0,9 m) de tous les côtés et surfaces du radiateur.
3. Ne pas utiliser à l'extérieur ou dans des zones humides comme les salles de bains, les buanderies ou là où il pourrait tomber dans une piscine ou.
4. Ce radiateur est un appareil câblé directement de 240 V CA. N'utilisez jamais de rallonges ou de prises électriques amovibles.

NETTOYAGE DU CHAUFFAGE :

1. Ne démontez pas le radiateur pour le nettoyer.
2. Le radiateur doit être éteint et débranché de l'alimentation au niveau du disjoncteur avant d'essayer de nettoyer une partie du radiateur.
3. L'extérieur peut être nettoyé avec un chiffon, une brosse et/ou un aspirateur.
4. Les persiennes, les pales du ventilateur et l'élément chauffant sont délicats et ne doivent pas entrer en contact avec des objets durs. Ils peuvent être nettoyés à la brosse, à l'aspirateur et à l'air comprimé doux.

Erreur Code	Possible Cause	Recommandé Solution	Clairière Erreur Codes
E1 (Ventilateur Lame Pas Filage) Surchauffer Sécurité Découper (Réinitialisable)	Insuffisant Autorisation Autour Chauffage	Assurer Chauffage est installée avec Suffisant Autorisation Tout autour, Voir Chiffre 1 . *6 pieds le minimum montage depuis sol *8 pouces le minimum depuis arrière de chauffage *13 pouces le minimum depuis côté de chauffage	À Clair E1 Code: 1. Pouvoir Désactivé Chauffage 2. Changer Désactivé Briseur (ou Retirer Fusible) 3. Permettre Chauffage à Cool (~15 minutes) 4. Changersur Briseur attendez 1 minute 5. Pouvoir Sur Unité et suivre Instruction Manuel pour Normale Opération Si E1 code persiste s'il te plaît contact fabricant à organiser produit retour.
	Obstrué Évén	Retirer n'importe lequel objets sur chauffage ou adjacent à chauffage événements. Faire pas bloc apport ou échappement par Colonnes, machinerie, etc. Assurer 24 pouces le minimum distance depuis chauffage échappement (devant) à n'importe lequel objet	
	Ventilateur Pas Opérationnel (Ventilateur Lame Pas Filage)	Déconnecter pouvoir! Inspecter Ventilateur Lame (arrière de Chauffage) pour étranger ou délogé objets) empêcher rotation. Retirer Arrière Grille et clair ingérence, rattacher Arrière Grille. Déconnecter pouvoir! Ouvrir Articulé Bas Couverture par suppression des vis. Inspecter Circuit Assemblage de la carte (adjacent à Fournir Connexion Terminal Bloc) pour lâche ou détaché "brancher" électrique connecteur. Réattacher en toute sécurité, fermer Bas Couverture et réinstaller des vis.	
	Inadéquat Cuivre Fil Jauge pour Fournir Connexions (Ventilateur Fonctionne à Réduit Vitesse due à Insuffisant Pouvoir	Consulter une licence électricien. Assurer Adéquat Fil Jauge pour Fournir Connexions	
	Excessif Distance depuis Source d'énergie (Ventilateur Fonctionne à Réduit Vitesse due à Actuel Perte)		
	Inadéquat Actuel (Ampli) Notation sur Briseur	Consulter un autorisé électricien. Assurer de manière adéquate taille Actuel Briseur ou Fusible par National & Locale Électrique Codes.	
	Non conforme Chauffage Fermer Vers le bas	Ne pas alimenter éteindre le chauffage en utilisant disjoncteur. Le moteur du ventilateur est conçu pour fonctionner peu de temps après élément chauffant ferme désactivé à prévenir un surchauffer condition.	
E2 Chambre Température Capteur Ouvrir Circuit	Détaché ou connexion lâche à Chambre Température Capteur	Déconnecter pouvoir! *Détacher Ventilateur Grille par suppression des vis. Localiser Température Capteur Thermocouple sur Logement (ci-dessous Ventilateur Moteur Support). Assurer fil paire & thermocouple "conseil" sont gratuit de dommage. Réattacher Grille par réinstallation des vis. - Ouvrir Bas Couverture par suppression des vis. Inspecter Circuit Carte Assemblage (adjacent à Fournir Connexion Terminal Bloc) pour lâche ou détaché "brancher" électrique connecteur. Réattacher connecteurs en toute sécurité. Fermer Bas Couverture et	À Clair E2 & E3 Codes: 1. Pouvoir Désactivé Chauffage 2. Changer Désactivé Disjoncteur (ou Retirer Fusible) 3. Changersur Briseur attendez 1 minute 4. Pouvoir Sur Unité et suivre Instruction Manuel pour Normale Opération Si E2 ou E3 code persiste s'il te plaît contact fabricant à organiser produit retour.
E3 Chambre Température Capteur Court Circuit	Humidité Piégeage dans Chauffage	Pas destiné pour Extérieur utiliser. Pas destiné pour utiliser dans salles de bains, douche pièces, lessive installations ou autre similaire intérieur Emplacements. Déconnecter pouvoir! Ouvrir Bas Couverture par suppression des vis. Permettre unité à pleinement sec. Réattacher en toute sécurité. fermer Bas Couverture et réinstaller des vis).	
Non Pouvoir ou Faible Pouvoir à Chauffage	Électrique Court-à Sol à Chambre Température Capteur	Déconnecter pouvoir! *Détacher Ventilateur Grille par suppression des vis. Localiser Température Capteur Thermocouple sur Logement (ci-dessous Ventilateur Moteur Support). Assurer l'isolation des fils est non endommagé et interne le conducteur n'est pas exposé. Réinstaller la grille par réinstallation des vis.	Redémarrage Unité. Suivez le manuel d'instructions pour Normale Opération.
	Fournir Connexions De manière incorrecte Filaire	Consulter une licence électricien. Assurer Fournir Connexions L1, L2 , L3 & Sol sont sécurisé. Couple par NEC (L3 fournis sur certains modèles).	
	Insuffisant Service Boucle sur Fournir Connexions	Consulter une licence électricien. Assurer suffisant service boucle dans fournir fils à maintenir sécurisé électrique Connexions à pivot chauffage sur support (particulièrement quand en utilisant rigide ou semi rigide conduit).	
	Électrique Court-à Sol	Consulter une licence électricien. Assurer Fournir Connexions (L1, L2 & L3) sont pas contacter Logement (Sol) (L3 uniquement disponible sur certains modèles).	

ELECTRIC garantie de l'appareil

GARANTIE LIMITÉE:

Une garantie limitée est remise à l'acheteur original de ce poêle et le couvre contre le dysfonctionnement lié aux défauts de fabrication pendant une période d'un (1) an à compter de la date d'achat du produit. **Pour enregistrer votre produit, veuillez visiter www.worldmkting.com**

PROCÉDURE DE REVENDICATION:

- **NE PAS RENVOYER LE PRODUIT À L'ENDROIT D'ACHAT**
- Contactez notre Service Client au 1-800-776-9425. Se munir du numéro du modèle, du numéro de série et de la date d'achat.
- Ils vous fourniront de plus amples informations, concernant par exemple le remplacement de pièces, la réparation ou le remplacement du poêle si nécessaire.

**APPELEZ LE 1-800-776-9425 (9h00-18h00 LUN.-VEN.) ou
ENVOYEZ UN EMAIL À info@worldmkting.com**

DÉPANNAGE ET GARANTIE

DEVOIRS DU PROPRIÉTAIRE:

Cet appareil de chauffage doit fonctionner en accord avec les instructions fournies avec le poêle. Cette garantie ne doit pas dissuader le propriétaire d'un entretien correct du poêle en accord avec les instructions écrites fournies avec ce poêle. Une facture de paiement, un chèque annulé ou un reçu de paiement doivent être conservés afin de pouvoir vérifier la date d'achat et établir une période de garantie. Le carton original doit être conservé en cas de retour d'article dans le cadre de la garantie.

CE QUI N'EST PAS COUVERT:

1. Dommages causés par une mauvaise utilisation ou une utilisation contraire au manuel de l'utilisateur et aux consignes de sécurité. Dommage causés par un manque d'entretien.
2. Réparation effectuée par une personne non-compétente.
3. Dommage causé par le branchement sur un mauvais voltage.
4. Dommage causé par une utilisation en extérieur.

RESTRICTIONS:

Cette garantie n'implique ni ne suppose aucune responsabilité pour les dommages collatéraux pouvant résulter de l'utilisation, de la mauvaise utilisation, ou du manque d'entretien régulier de cet appareil de chauffage. Un frais d'entretien ainsi que le coût des pièces peuvent être facturés pour les défauts de fonctionnement de l'appareil résultant du manque d'entretien. Cette garantie ne couvre pas les revendications, qui n'incluent pas une qualité de travail défectueuse ni les matériaux. LE REFUS D'ENTRETIEN GÉNÉRAL (NETTOYAGE INCLUS) ANNULERA LA GARANTIE.

CETTE GARANTIE LIMITÉE EST ACCORDÉE À L'ACHETEUR EN GUISE DE TOUTE AUTRE GARANTIE, EXPRIMÉE OU IMPLICITE, INCLUANT MAIS NON-LIMITÉES À LA GARANTIE DE CONFORMITÉ, D'UTILISATION, D'APTITUDE À UN USAGE PARTICULIER ET DE NON- CONTREFAÇON. LA SOLUTION FOURNIE PAR CETTE GARANTIE EST EXCLUSIVE ET EST CONFÉRÉE EN GUISE DE TOUT AUTRE SOLUTION. EN AUCUN CAS LE MONDE DU MARKETING D'AMÉRIQUE NE SERA RESPONSABLE DES DOMMAGES CIRCONSTANCIELS OU COLLATÉRAUX.

Certains états n'autorisent aucune limitation quant à la durée d'une garantie implicite. Dans ce cas, la limitation ci-dessus ne s'appliquera pas. Certains états n'autorisent pas l'exclusion ou la limitation de dommages circonstanciels ou collatéraux. Dans ce cas, l'exclusion ou la limitation ci-dessus ne s'appliquera pas.

Pour information, attachez vos recus d'achat à ce manuel et annotez les informations suivantes DATE D'ACHAT:

LIEU D'ACHAT: _____

NUMÉRO DE SÉRIE: _____

NUMÉRO DU MODÈLE: _____